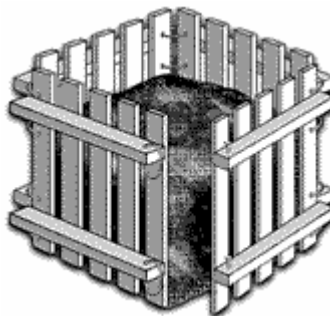


Wooden Pallet Bin

Create an inexpensive bin using wooden pallets. Wooden pallet bins have the added advantage of reusing pallets that would otherwise end up in the landfill. This design includes a removable front, making it easy to turn the compost.



Materials

- Four wooden pallets
- 32 wood screws or bailing wire
- Four bolt latches

Building the Bin

1. Assembly is easy: just screw or wire three of the pallets together.
2. Attach bolt latches to the front edge of the bin and the last pallet to make a removable door.

Tip for Composting in Dry Climates

In dry climates, line the bin with plastic. This helps keep the pile moist and aids in the composting process. Staple a sheet of plastic to three sides of the bin and a separate plastic sheet to the front door.

Variations

Convert a one-bin pallet composter into a two-bin system using just six pallets. In a two-bin system, the compost is turned by emptying the full bin into the empty one and back again.

If you have lots of compostable material, expand your operation to a three-bin system using ten pallets. Build the pile in the first bin, turn it into the second for further decomposition, and turn it into the third for curing.

Solana Center



for Environmental Innovation

137 N. El Camino Real, Encinitas, CA 92024
www.solanacenter.org
760-436-7986